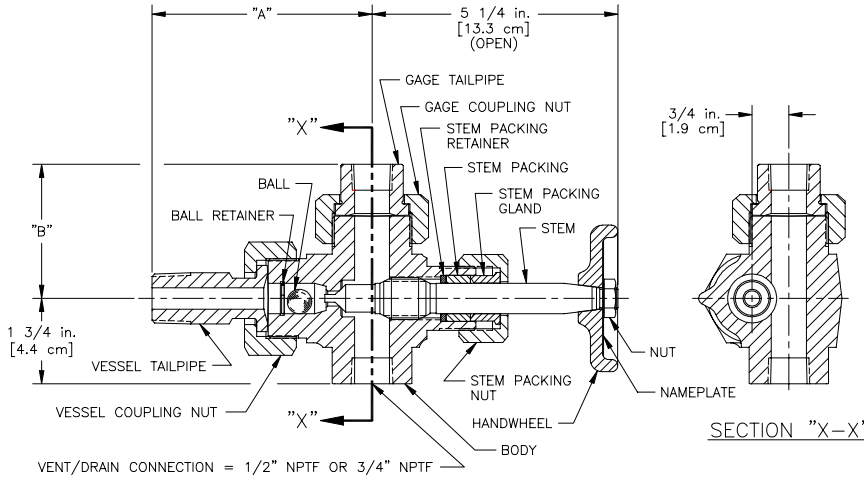


PENBERTHY dimensions

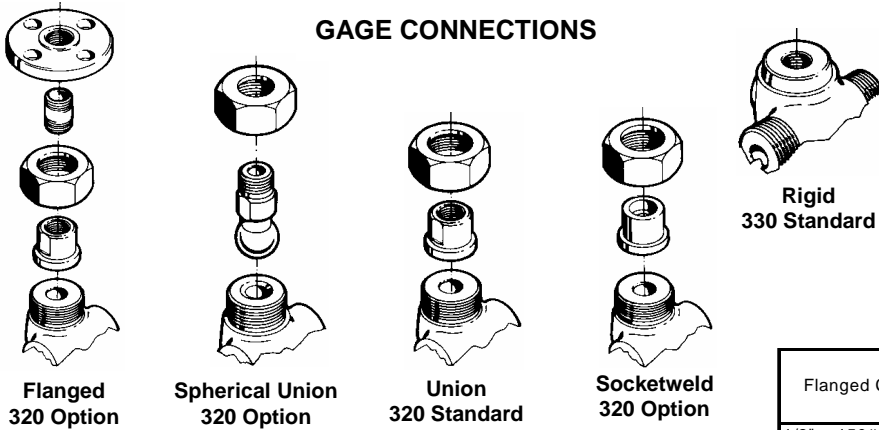
Section 2000
Dimensions 2731.1
Issued 07/05
Replaces 02/05

For: **SERIES 300 GAGECOCKS**

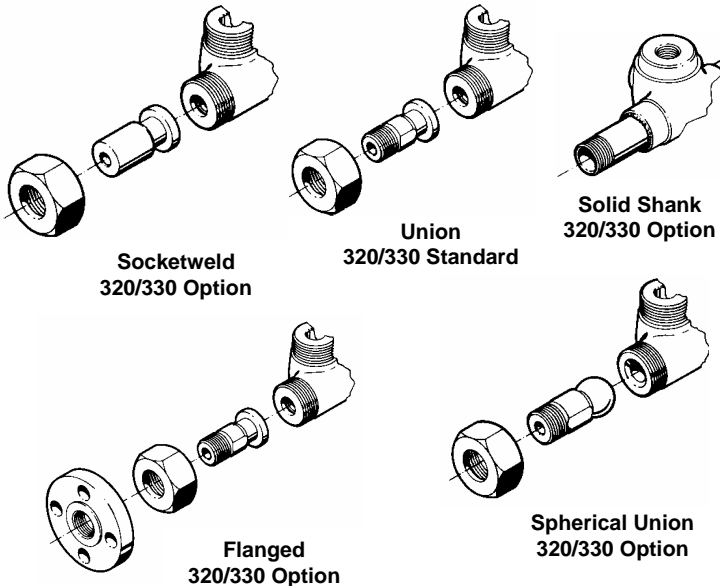


Connection	Dimension "A" Inches [cm]	Dimension "B" Inches [cm]	
		Standard	320 Option Side Connect
UNION			
1/2" NPTF	3 3/16 [8.1]	2 3/4 [7.0]	
1/2" NPTM	4 3/8 [11.1]	3 3/8 [8.6]	4 1/16 [10.3]
3/4" NPTF	3 3/16 [8.1]	2 3/4 [7.0]	
3/4" NPTM	4 1/2 [11.4]	3 3/8 [8.6]	4 1/16 [10.3]
1" NPTM	4 5/8 [11.7]		
RIGID			
1/2" NPTF		1 1/4 [3.2]	
3/4" NPTF		1 1/4 [3.2]	
SOLID SHANK			
1/2" NPTM	4 [10.2]		
3/4" NPTM	4 [10.2]		
1" NPTM	4 [10.2]		
SOCKETWELD			
1/2" Female Union		2 3/4 [7.0]	
1/2" Female Rigid		1 1/4 [3.2]	
1/2" Male Union	4 3/8 [11.1]	3 3/8 [8.6]	4 1/16 [10.3]
3/4" Female Rigid		1 1/4 [3.2]	
3/4" Male Union	4 1/2 [11.4]	3 3/8 [8.6]	4 1/16 [10.3]
1" Male Union	4 5/8 [11.7]		
SPHERICAL UNION			
1/2" NPTF	4 9/16 [11.6]	4 1/8 [10.5]	
1/2" NPTM	4 9/16 [11.6]	4 1/8 [10.5]	
3/4" NPTM	4 9/16 [11.6]	4 1/8 [10.5]	

GAGE CONNECTIONS



VESSEL CONNECTIONS

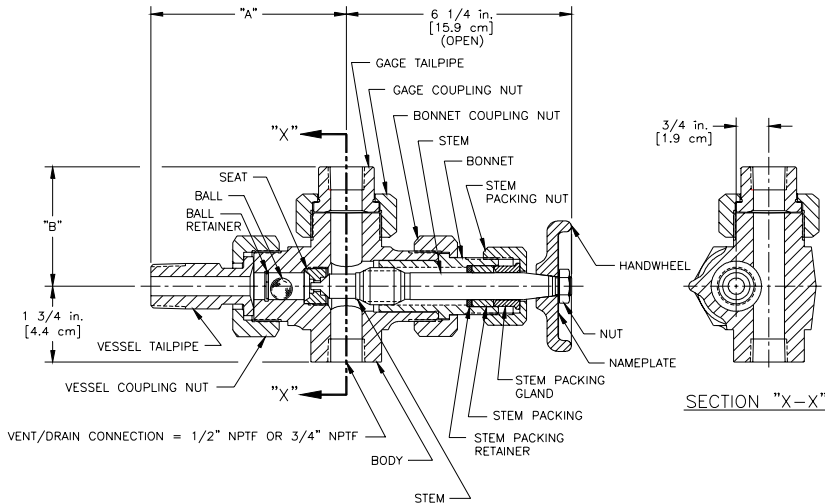


Flanged Connection	Dimension "A" Inches [cm]		Dimension "B" Inches [cm]	
	RF Threaded	RF Slip On	RF Threaded	RF Slip On
1/2" - 150# (F) Union			3 11/16 [9.4]	3 13/16 [9.7]
1/2" - 300# (F) Union			3 15/16 [10.0]	3 15/16 [10.0]
1/2" - 600# (F) Union			4 3/16 [10.6]	4 3/16 [10.6]
1/2" - 1500# (F) Union			4 13/16 [12.2]	4 3/4 [12.1]
1/2" - 150# (M) Union	4 1/2 [11.4]	4 5/8 [11.7]	3 11/16 [9.4]	3 5/8 [9.2]
1/2" - 300# (M) Union	4 1/2 [11.4]	4 5/8 [11.7]	3 3/4 [9.5]	3 3/4 [9.5]
1/2" - 600# (M) Union	4 3/4 [12.1]	4 5/8 [11.7]	4 1/16 [10.3]	4 1/16 [10.3]
1/2" - 1500# (M) Union	5 [12.7]	4 5/8 [11.7]	4 3/4 [12.1]	4 3/4 [12.1]
3/4" - 150# (F) Union			3 15/16 [10.0]	
3/4" - 300# (F) Union			4 3/16 [10.6]	
3/4" - 600# (F) Union			4 7/16 [11.3]	
3/4" - 1500# (F) Union			4 15/16 [12.5]	
3/4" - 150# (M) Union	4 5/8 [11.7]	4 3/4 [12.1]	3 3/4 [9.5]	3 3/4 [9.5]
3/4" - 300# (M) Union	4 5/8 [11.7]	4 3/4 [12.1]	4 1/8 [10.5]	4 1/16 [10.3]
3/4" - 600# (M) Union	5 [12.7]	4 3/4 [12.1]	4 3/8 [11.1]	4 5/16 [11.0]
3/4" - 1500# (M) Union	5 1/4 [13.3]	4 3/4 [12.1]	4 7/8 [12.4]	4 7/8 [12.4]
3/4" - 150# (F) Rigid			2 15/16 [7.5]	2 7/8 [7.3]
3/4" - 300# (F) Rigid			3 3/16 [8.1]	3 3/16 [8.1]
3/4" - 600# (F) Rigid			3 7/16 [8.7]	3 7/16 [8.7]
3/4" - 1500# (F) Rigid			4 1/16 [10.3]	4 [10.2]
1" - 150# (M) Union	4 11/16 [11.9]	4 7/8 [12.4]	3 3/4 [9.5]	3 3/4 [9.5]
1" - 300# (M) Union	4 11/16 [11.9]	4 7/8 [12.4]	4 1/8 [10.5]	4 1/16 [10.3]
1" - 600# (M) Union	5 1/16 [12.9]	4 7/8 [12.4]	4 3/8 [11.1]	4 5/16 [11.0]
1" - 1500# (M) Union	5 3/8 [13.7]	4 7/8 [12.4]		

PENBERTHY dimensions

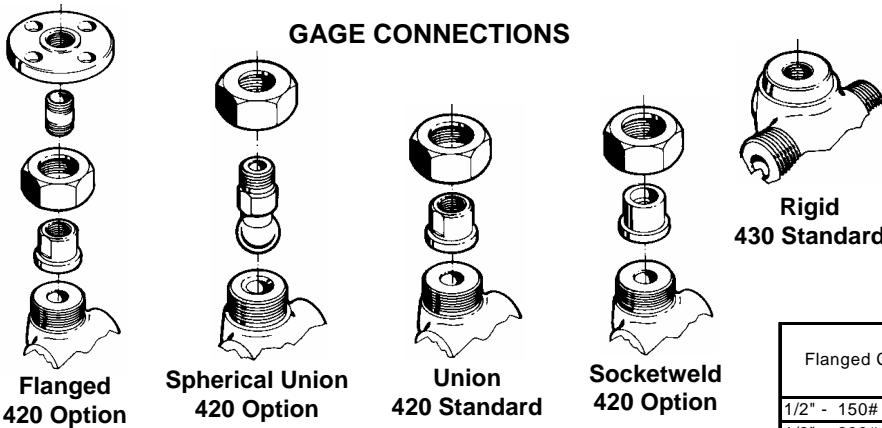
Section 2000
Dimensions 2731.2
Issued 07/05
Replaces 02/05

For: **SERIES 400 GAGECOCKS**

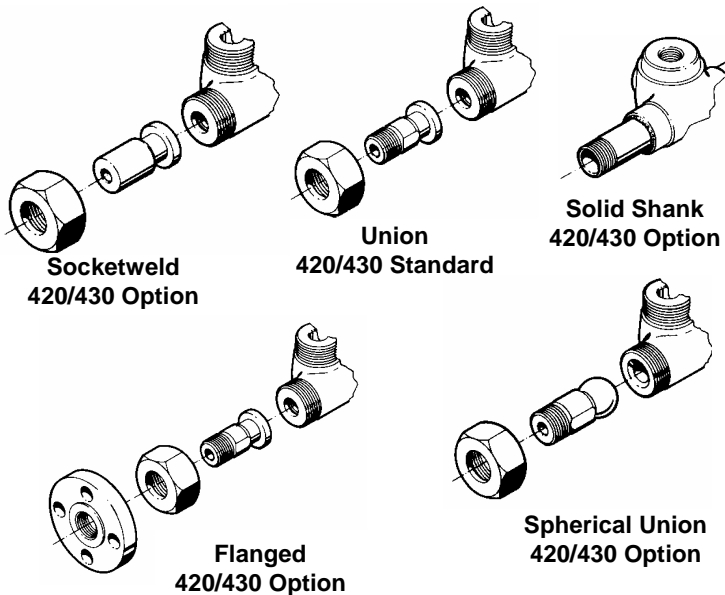


Connection	Dimension "A" Inches [cm]	Dimension "B" Inches [cm]	
		Standard	420 Option Side Connect
UNION			
1/2" NPTF	3 3/16 [8.1]	2 3/4 [7.0]	
1/2" NPTM	4 3/8 [11.1]	3 3/8 [8.6]	4 1/16 [10.3]
3/4" NPTF	3 3/16 [8.1]	2 3/4 [7.0]	
3/4" NPTM	4 1/2 [11.4]	3 3/8 [8.6]	4 1/16 [10.3]
1" NPTM	4 5/8 [11.7]		
RIGID			
1/2" NPTF		1 1/4 [3.2]	
3/4" NPTF		1 1/4 [3.2]	
SOLID SHANK			
1/2" NPTM	4 [10.2]		
3/4" NPTM	4 [10.2]		
1" NPTM	4 [10.2]		
SOCKETWELD			
1/2" Female Union		2 3/4 [7.0]	
1/2" Female Rigid		1 1/4 [3.2]	
1/2" Male Union	4 3/8 [11.1]	3 3/8 [8.6]	4 1/16 [10.3]
3/4" Female Rigid		1 1/4 [3.2]	
3/4" Male Union	4 1/2 [11.4]	3 3/8 [8.6]	4 1/16 [10.3]
1" Male Union	4 5/8 [11.7]		
SPHERICAL UNION			
1/2" NPTF	4 9/16 [11.6]	4 1/8 [10.5]	
1/2" NPTM	4 9/16 [11.6]	4 1/8 [10.5]	
3/4" NPTM	4 9/16 [11.6]	4 1/8 [10.5]	

GAGE CONNECTIONS



VESSEL CONNECTIONS



Flanged Connection	Dimension "A" Inches [cm]		Dimension "B" Inches [cm]	
	RF Threaded	RF Slip On	RF Threaded	RF Slip On
1/2" - 150# (F) Union			3 11/16 [9.4]	3 13/16 [9.7]
1/2" - 300# (F) Union			3 15/16 [10.0]	3 15/16 [10.0]
1/2" - 600# (F) Union			4 3/16 [10.6]	4 3/16 [10.6]
1/2" - 1500# (F) Union			4 13/16 [12.2]	4 3/4 [12.1]
1/2" - 150# (M) Union	4 1/2 [11.4]	4 5/8 [11.7]	3 11/16 [9.4]	3 5/8 [9.2]
1/2" - 300# (M) Union	4 1/2 [11.4]	4 5/8 [11.7]	3 3/4 [9.5]	3 3/4 [9.5]
1/2" - 600# (M) Union	4 3/4 [12.1]	4 5/8 [11.7]	4 1/16 [10.3]	4 1/16 [10.3]
1/2" - 1500# (M) Union	5 [12.7]	4 5/8 [11.7]	4 3/4 [12.1]	4 3/4 [12.1]
3/4" - 150# (F) Union			3 15/16 [10.0]	
3/4" - 300# (F) Union			4 3/16 [10.6]	
3/4" - 600# (F) Union			4 7/16 [11.3]	
3/4" - 1500# (F) Union			4 15/16 [12.5]	
3/4" - 150# (M) Union	4 5/8 [11.7]	4 3/4 [12.1]	3 3/4 [9.5]	3 3/4 [9.5]
3/4" - 300# (M) Union	4 5/8 [11.7]	4 3/4 [12.1]	4 1/8 [10.5]	4 1/16 [10.3]
3/4" - 600# (M) Union	5 [12.7]	4 3/4 [12.1]	4 3/8 [11.1]	4 5/16 [11.0]
3/4" - 1500# (M) Union	5 1/4 [13.3]	4 3/4 [12.1]	4 7/8 [12.4]	4 7/8 [12.4]
3/4" - 150# (F) Rigid			2 15/16 [7.5]	2 7/8 [7.3]
3/4" - 300# (F) Rigid			3 3/16 [8.1]	3 3/16 [8.1]
3/4" - 600# (F) Rigid			3 7/16 [8.7]	3 7/16 [8.7]
3/4" - 1500# (F) Rigid			4 1/16 [10.3]	4 [10.2]
1" - 150# (M) Union	4 11/16 [11.9]	4 7/8 [12.4]	3 3/4 [9.5]	3 3/4 [9.5]
1" - 300# (M) Union	4 11/16 [11.9]	4 7/8 [12.4]	4 1/8 [10.5]	4 1/16 [10.3]
1" - 600# (M) Union	5 1/16 [12.9]	4 7/8 [12.4]	4 3/8 [11.1]	4 5/16 [11.0]
1" - 1500# (M) Union	5 3/8 [13.7]	4 7/8 [12.4]		