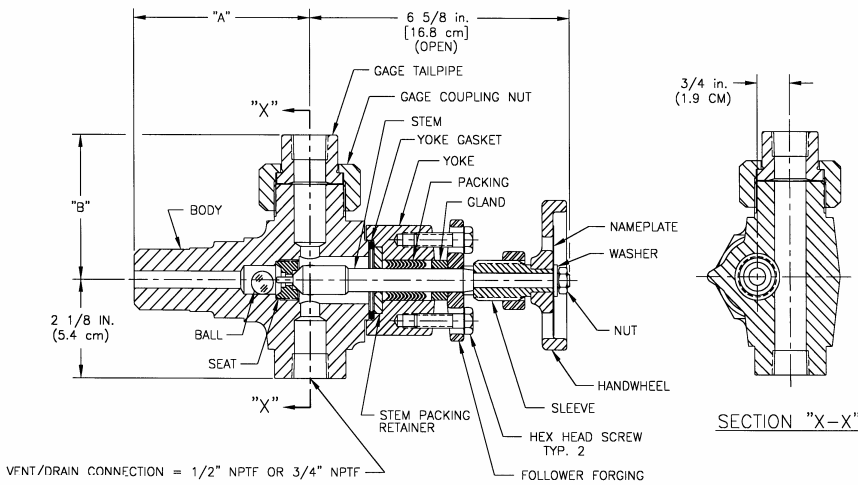


PENBERTHY dimensions

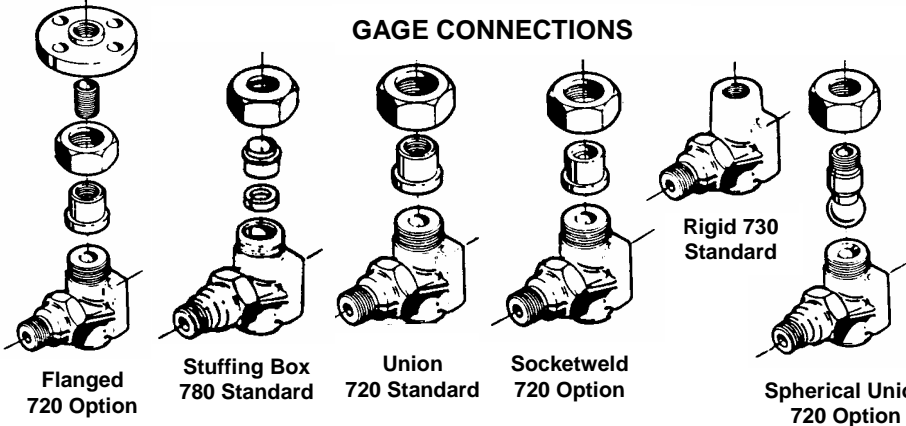
Section 2000
Dimensions 2735
Issued 07/05
Replaces 11/96

For: **SERIES 700 GAGECOCKS**



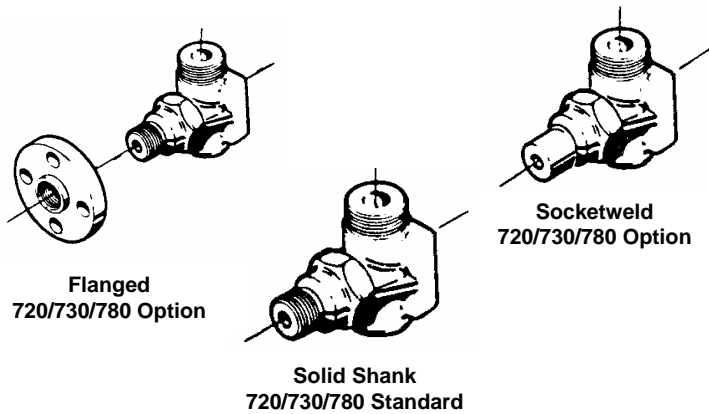
VFNT/DRAIN CONNECTION = 1/2" NPTF OR 3/4" NPTF

GAGE CONNECTIONS



Connection	Dimension "A" Inches [cm]	Dimension "B" Inches [cm]	
		Standard	720 Option Side Connect
UNION			
1/2" NPTF		3 1/8 [7.9]	
1/2" NPTM		3 3/4 [9.5]	4 7/16 [11.3]
3/4" NPTF		3 1/8 [7.9]	
3/4" NPTM		3 3/4 [9.5]	4 7/16 [11.3]
RIGID			
1/2" NPTF		2 1/8 [5.4]	
3/4" NPTF		2 1/8 [5.4]	
SOLID SHANK			
1/2" NPTM	4 [10.2]		
3/4" NPTM	4 [10.2]		
1" NPTM	4 [10.2]		
SOCKETWELD			
1/2" Female Union		3 1/8 [7.9]	
1/2" Female Rigid		2 1/8 [5.4]	
1/2" Male Union		3 3/4 [9.5]	4 7/16 [11.3]
1/2" Male Rigid	4 [10.2]		
3/4" Female Rigid		2 1/8 [5.4]	
3/4" Male Union		3 3/4 [9.5]	4 7/16 [11.3]
3/4" Male Rigid	4 [10.2]		
1" Male Rigid	4 [10.2]		
SPHERICAL UNION			
1/2" NPTF		4 1/2 [11.4]	
1/2" NPTM		4 1/2 [11.4]	
3/4" NPTM		4 1/2 [11.4]	

VESSEL CONNECTIONS



Flanged Connection	Dimension "A" Inches [cm]		Dimension "B" Inches [cm]	
	RF Threaded	RF Slip On	RF Threaded	RF Slip On
1/2" - 150# (F) Union			4 1/16 [10.3]	4 3/16 [10.6]
1/2" - 300# (F) Union			4 5/16 [11.0]	4 5/16 [11.0]
1/2" - 600# (F) Union			4 9/16 [11.6]	4 9/16 [11.6]
1/2" - 1500# (F) Union			5 3/16 [13.2]	5 1/8 [13.0]
1/2" - 150# (M) Rigid	4 1/8 [10.5]	4 1/4 [10.8]	3 11/16 [9.4]	3 5/8 [9.2]
1/2" - 300# (M) Rigid	4 1/8 [10.5]	4 1/4 [10.8]	3 13/16 [9.7]	3 3/4 [9.5]
1/2" - 600# (M) Rigid	4 3/8 [11.1]	4 1/4 [10.8]	4 1/16 [10.3]	4 1/16 [10.3]
1/2" - 1500# (M) Rigid	4 5/8 [11.7]	4 1/4 [10.8]	4 13/16 [12.2]	4 3/4 [12.1]
3/4" - 150# (F) Union			4 5/16 [11.0]	
3/4" - 300# (F) Union			4 9/16 [11.6]	
3/4" - 600# (F) Union			4 13/16 [12.2]	
3/4" - 1500# (F) Union			5 5/16 [13.5]	
3/4" - 150# (M) Rigid	4 1/8 [10.5]	4 1/4 [10.8]	3 13/16 [9.7]	3 3/4 [9.5]
3/4" - 300# (M) Rigid	4 1/8 [10.5]	4 1/4 [10.8]	4 1/16 [10.3]	4 1/16 [10.3]
3/4" - 600# (M) Rigid	4 1/2 [11.4]	4 1/4 [10.8]	4 5/16 [11.0]	4 5/16 [11.0]
3/4" - 1500# (M) Rigid	4 3/4 [12.1]	4 1/4 [10.8]	4 15/16 [12.5]	4 7/8 [12.4]
1" - 150# (M) Rigid	4 1/16 [10.3]	4 1/4 [10.8]	3 13/16 [9.7]	3 3/4 [9.5]
1" - 300# (M) Rigid	4 1/16 [10.3]	4 1/4 [10.8]	4 1/16 [10.3]	4 1/16 [10.3]
1" - 600# (M) Rigid	4 1/2 [11.4]	4 1/4 [10.8]	4 5/16 [11.0]	4 5/16 [11.0]
1" - 1500# (M) Rigid	4 3/4 [12.1]	4 1/4 [10.8]	5 1/8 [13.0]	5 1/8 [13.0]