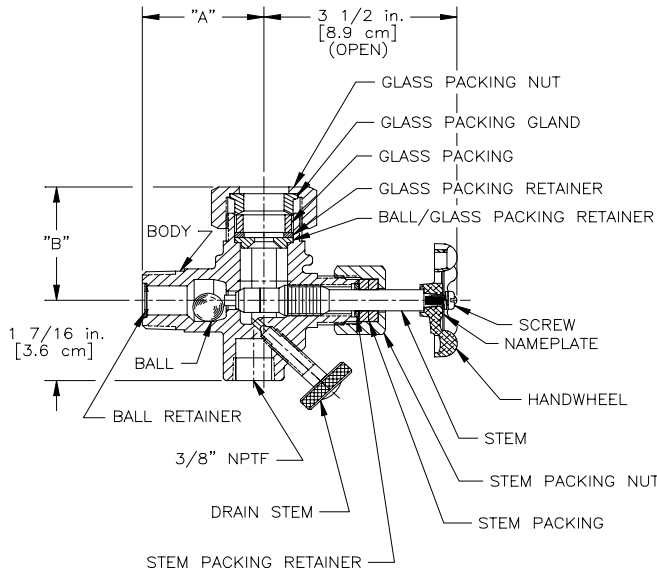


PENBERTHY dimensions

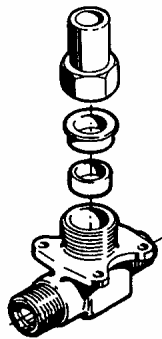
Section 2000
Dimensions 2753
Issued 09/05
Replaces 04/87

For: **SERIES N7 GAGECOCKS**

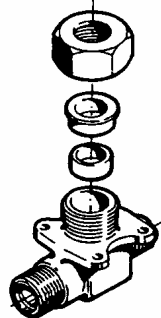


Connection	Dimension "A" in Inches [cm]	Dimension "B" in Inches [cm]
SOLID SHANK		
1/2" NPTM	2 [5.1]	
3/4" NPTM	2 [5.1]	
SOCKETWELD		
1/2" Male	2 [5.1]	
3/4" Male	2 [5.1]	
FLANGED		
1/2"-150# R.F.	2 1/4 [5.7]	
1/2"-300# R.F.	2 1/4 [5.7]	
3/4"-150# R.F.	2 1/4 [5.7]	
3/4"-300# R.F.	2 1/4 [5.7]	
STUFFING BOX		
5/8" Dia. Glass		2 [5.1]
3/4" Dia. Glass		2 [5.1]
Protector Nut		2 5/8 [6.7]

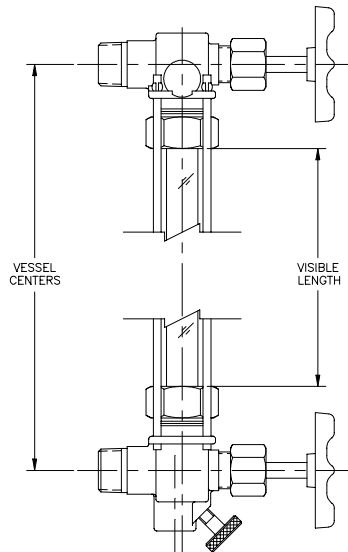
GAGE CONNECTIONS



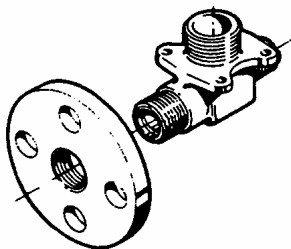
**Stuffing Box
With Protector
Nut Option**



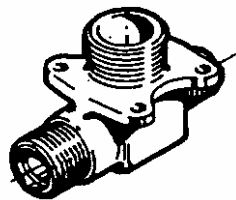
**Stuffing Box
N7A/N7B
Standard**



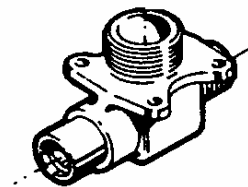
VESSEL CONNECTIONS



**Flanged
N7A/N7B
Option**



**Solid Shank
N7A/N7B
Standard**



**Socketweld
N7A/N7B
Option**