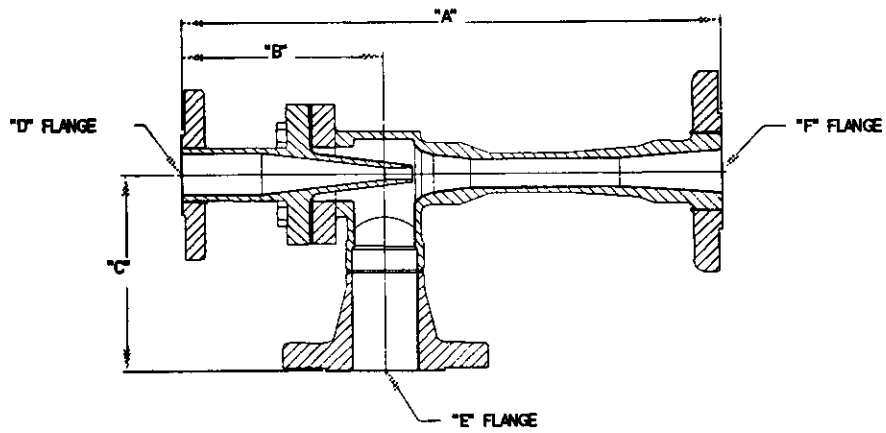


# Dimensions

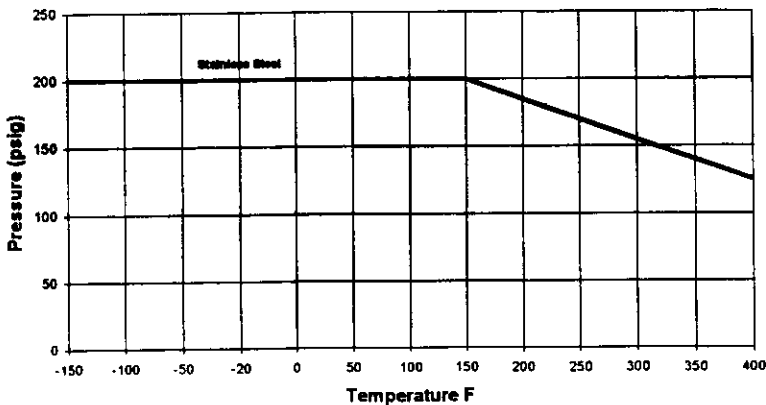
For: Models LL, LM, LH, GL and GH FluoroElastomer Eductors



Size	Maximum Particle Clearance in Inches (CM)				
	Model				
	LL	LM	LH	GL	GH
1-1/4"	0.14 (0.36)	0.12 (0.30)	0.09 (0.23)	0.25 (0.62)	0.17 (0.43)
1-1/2"	0.18 (0.46)	0.16 (0.39)	0.12 (0.30)	0.32 (0.80)	0.22 (0.55)
2"	0.25 (0.62)	0.22 (0.55)	0.16 (0.39)	0.43 (1.1)	0.30 (0.75)
2-1/2"	0.33 (0.83)	0.28 (0.71)	0.21 (0.53)	0.56 (1.42)	0.39 (0.99)
3"	0.45 (1.13)	0.39 (0.99)	0.29 (0.74)	0.77 (1.96)	0.53 (1.35)

Model	Size	Dimension in Inches (cm)					
		"A"	"B"	"C"	"D"	"E"	"F"
LL	1-1/4"	11.13 (28.26)	4.56 (11.58)	4.56 (11.58)	3/4"	1-1/4"	1-1/4"
LM, LH, GL, GH					1"		
LL, LM, GL, GH	1-1/2"	13.25 (33.66)	4.94 (12.55)	4.94 (12.55)	1"	1-1/2"	1-1/2"
LH					1-1/4"		
LL, LM, GL, GH	2"	16.75 (42.55)	5.50 (13.97)	5.50 (13.97)	1-1/4"	2"	2"
LH					1-1/2"		
LL, LM, GL, GH	2-1/2"	21.56 (54.76)	6.94 (17.63)	6.94 (17.63)	1-1/2"	2-1/2"	2-1/2"
LH					2"		
LL, LM, GL, GH, LH	3"	27.69 (70.33)	7.81 (19.84)	7.81 (19.84)	2"	3"	3"

Design Rating



**Certified For:** (Dimensions are not for construction unless certified)

**Customer:** \_\_\_\_\_

**Order Number:** \_\_\_\_\_

**Quantity:** \_\_\_\_\_

**Material:** \_\_\_\_\_

**Date:** \_\_\_\_\_

**Certified By:** \_\_\_\_\_