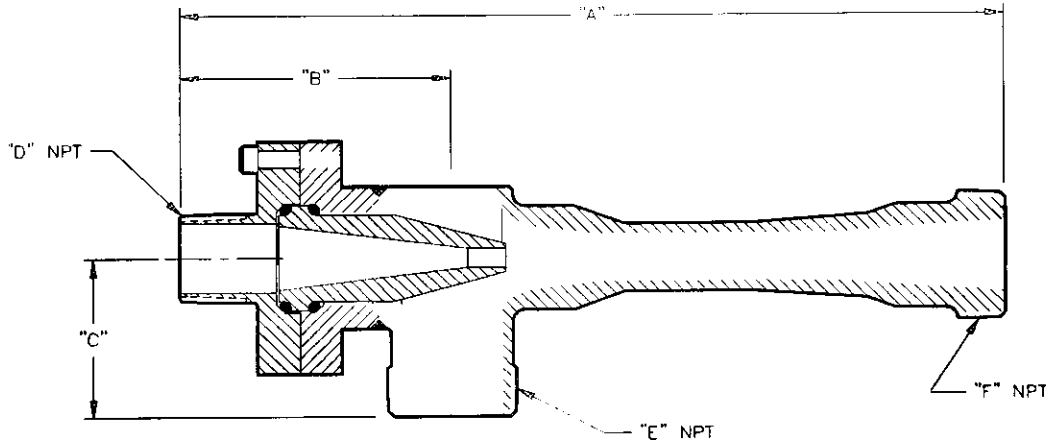


Dimensions

For: Models LL, LM and LH, Ceramic Nozzle Eductors

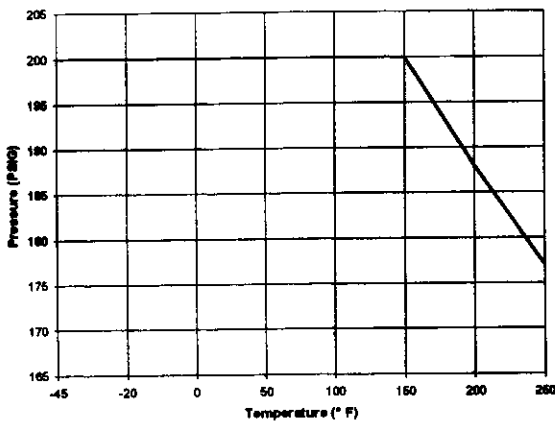


Size	Maximum Particle Clearance in Inches (CM) Suction Connection		
	Model		
	LL	LM	LH
1/2A	0.062 (0.16)	0.059 (0.15)	0.045 (0.11)
1/2B	0.078 (0.20)	0.073 (0.19)	0.056 (0.14)
1/2	0.125 (0.32)	0.118 (0.30)	0.090 (0.23)
3/4	0.164 (0.42)	0.155 (0.39)	0.118 (0.30)
1	0.211 (0.54)	0.199 (0.51)	0.151 (0.38)
1-1/4"	0.281 (0.71)	0.265 (0.67)	0.202 (0.51)
1-1/2"	0.360 (0.91)	0.339 (0.86)	0.256 (0.66)
2"	0.485 (1.23)	0.457 (1.16)	0.348 (0.88)
2-1/2"	0.641 (1.63)	0.605 (1.54)	0.460 (1.17)
3"	0.875 (2.22)	0.826 (2.10)	0.628 (1.60)

Size	Maximum Particle Clearance in Inches (CM) Motive Connection		
	Model		
	LL	LM	LH
1/2A	0.025 (0.06)	0.031 (0.08)	0.041 (0.10)
1/2B	0.031 (0.08)	0.039 (0.10)	0.051 (0.13)
1/2	0.050 (0.13)	0.063 (0.16)	0.082 (0.21)
3/4	0.066 (0.17)	0.082 (0.21)	0.108 (0.27)
1	0.084 (0.21)	0.105 (0.27)	0.139 (0.35)
1-1/4"	0.113 (0.29)	0.141 (0.36)	0.185 (0.47)
1-1/2"	0.144 (0.37)	0.180 (0.46)	0.237 (0.60)
2"	0.194 (0.49)	0.242 (0.61)	0.319 (0.81)
2-1/2"	0.256 (0.65)	0.321 (0.82)	0.422 (1.07)
3"	0.350 (0.89)	0.438 (1.11)	0.576 (1.46)

Model	Size	Dimension in Inches (cm)					
		"A"	"B"	"C"	"D"	"E"	"F"
LL, LM, LH	1/2A	4.83 (12.27)	1.83 (4.65)	1.20 (3.05)	1/4	1/2	1/2
LL, LM, LH	1/2B	4.83 (12.27)	1.83 (4.65)	1.20 (3.05)	1/4	1/2	1/2
LL	1/2"	4.83 (12.27)	1.83 (4.65)	1.20 (3.05)	1/4	1/2	1/2
LM, LH		3/8					
LL	3/4"	6.12 (15.54)	2.37 (6.02)	1.40 (3.56)	3/8	3/4	3/4
LM, LH		1/2					
LL	1"	7.66 (19.46)	2.91 (7.39)	1.70 (4.32)	1/2	1	1
LM, LH		3/4					
LL	1-1/4"	9.94 (25.25)	3.44 (8.74)	2.20 (5.59)	3/4	1-1/4	1-1/4
LM, LH		1					
LL, LM	1-1/2"	12.34 (31.34)	4.06 (10.31)	2.40 (6.09)	1	1-1/2	1-1/2
LH		1-1/4					
LL, LM	2"	16.06 (40.84)	4.95 (12.57)	2.90 (7.37)	1-1/4	2	2
LH		1-1/2					
LL, LM	2-1/2"	24.29 (61.70)	6.13 (15.57)	4.10 (10.41)	1-1/2	2-1/2	2-1/2
LH		2					
LL, LM, LH	3"	27.41 (69.62)	7.52 (19.10)	5.00 (12.70)	2	3	3

Design Rating



Certified For: (Dimensions are not for construction unless certified)

Customer: _____

Order Number: _____

Quantity: _____

Material: _____

Date: _____

Certified By: _____