

PENBERTHY SANITARY JET PUMPS

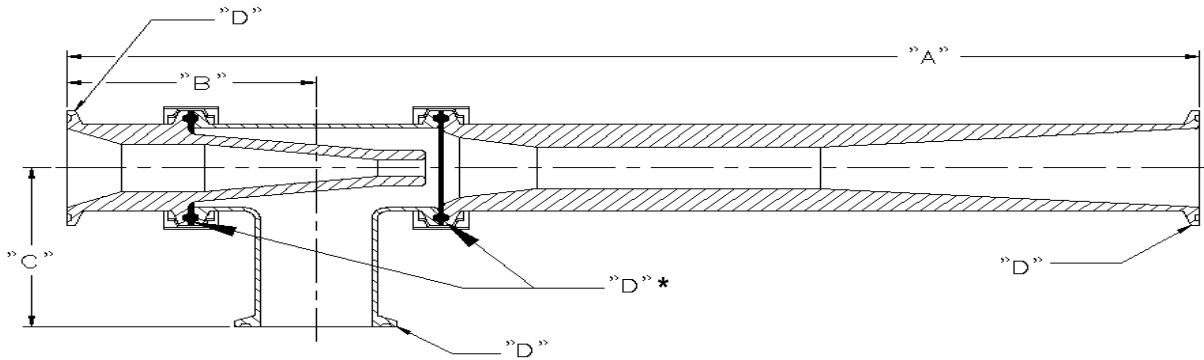
Penberthy Sanitary Jet Pumps are designed to satisfy performance and service requirements in the food, dairy, pharmaceutical and biotechnology industries. Three-piece 316 Stainless Steel construction and sanitary flange connections make disassembly a simple procedure. This is accomplished without sacrificing Penberthy's recognized performance and durability. This series is compatible with CIP/SIP techniques.

Penberthy Sanitary Jet Pumps can be used in many different applications. Models SLL, SLM and SLH pump liquids using liquid as the operating motive. The model SLM can also pump gases with a liquid as the operating motive. Models SGL and SGH can pump gases or steam with either another gas or steam as the operating motive. These models can also pump liquids with steam as the operating motive. Model SHLM is an in-line heater used to heat a liquid motive flow stream using steam educted into the suction port to raise the temperature of the motive flow.

Eductor Model	Operating Motive Pressure	Discharge Head
SLL, SLM, SLH Liquid motive / liquid suction	15 – 200 psig [1 - 14 Barg]	(SLL) Up to 50 ft [15 m] (SLM) 40 - 80 ft [12 to 24 m] (SLH) 80 ft [24 m] or more
SLM Liquid motive / gas suction	20- 200 psig [1.4 - 14 Barg]	0 - 20 psig [0 - 1.4 Barg]
SGL Gas or steam motive / gas or steam suction	60 to 150 psig [4 -10 Barg]	0 - 12 psig [0 – 0.8 Barg]
SGH Gas or steam motive / gas or steam suction	20 to 150 psig [1.4 - 10 Barg]	0 - 21 psig [0 - 1.4 Barg]

Model	Steam Pressure	Max. Capacity	Max. Water Temp. Rise (ΔT)
SHLM In-line heater	to 120 psig [8 Barg]	5000 GPM [18930 L / min]	up to 216°F [102°C]

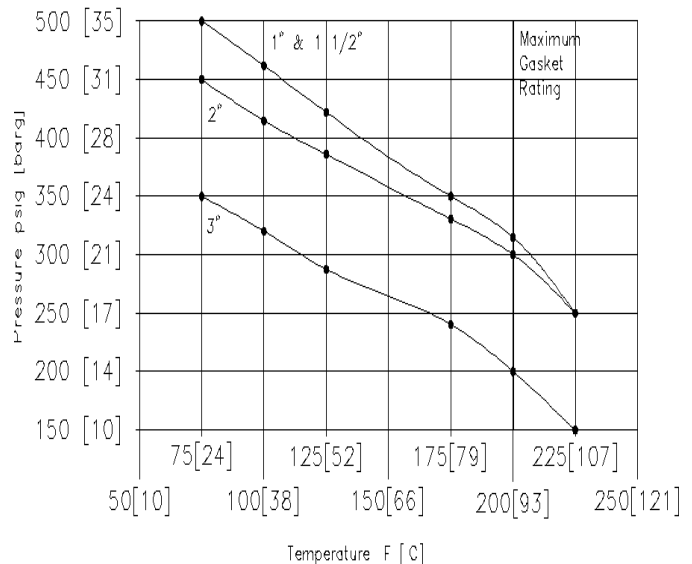
For sizing information refer to Penberthy's Bulletin 1200, 1300 and 1400. Performance characteristics for the Sanitary Jet Pump are identical to Penberthy's standard models. Performance charts are for the corresponding model less the "S" designation, e.g. for the SLM use the LM table, etc.



* Standard gasket material is Viton®. Other materials available.
 Viton® is a registered trademark of E.I. du Pont de Nemours and Company.

All Models Size	Dimensions in Inches [mm]			Flange Size
	"A"	"B"	"C"	"D"
1	8 3/4 [222.3]	3 1/16 [79.5]	2 3/8 [60.3]	1 1/2
1 1/2	13 3/4 [349.3]	3 [76.2]	2 3/4 [69.9]	1 1/2
2	16 [406.4]	3 3/4 [95.2]	3 1/2 [88.9]	2
3	27 7/16 [697.1]	5 3/8 [136.6]	3 3/4 [95.3]	3

Maximum Particle Clearance				
Model	Size			
	Inches & [mm]			
	1	1-1/2	2	3
SLL	0.076 [1.930]	0.130 [3.302]	0.175 [4.445]	0.315 [8.001]
SLM	0.095 [2.413]	0.162 [4.115]	0.218 [5.537]	0.394 [10.008]
SLH	0.126 [3.200]	0.216 [5.486]	0.291 [7.391]	0.525 [13.335]
SGL	0.070 [1.778]	0.120 [3.048]	0.162 [4.115]	0.292 [7.417]
SGH	0.105 [2.667]	0.180 [4.572]	0.242 [6.147]	0.437 [11.100]
SHLM	0.095 [2.413]	0.162 [4.115]	0.218 [5.537]	0.394 [10.008]



Other sanitary products available from Penberthy:

Sight Flow Indicators
 Magnetic Liquid Level Gages

LEVELMARK
 Ultrasonic Gap Switches
 Capacitance Switches & Transmitters



Authorization No. 1133

Copyright © Penberthy 2001 All Rights Reserved
 Specifications subject to change without notice

PENBERTHY
 320 Locust Street
 Prophetstown, IL 61277 USA
 TEL: 815-537-2311
 FAX: 815-537-5387
 E-MAIL: jetteam@penberthy-online.com
 WEBSITE: www.penberthy-online.com

