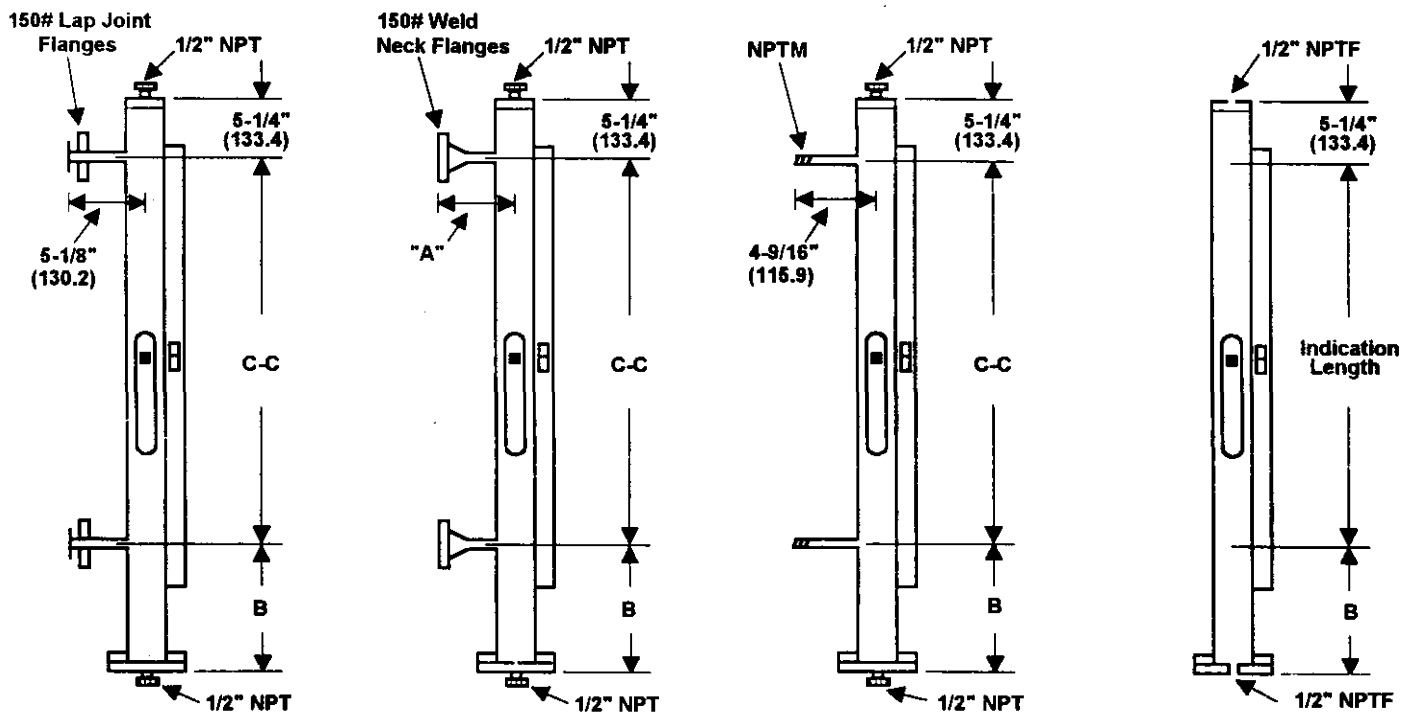


PENBERTHY

dimensions

Section 4000
 Dimensions 4700
 Issued 01/96
 Replaces 4/93

For: **MULTIVIEW™** LIQUID LEVEL METER -- METALLIC NPT & 150# ANSI



* All Flange Connections Larger Than 1" will be Reducing Flanges

Connection Size (Side)	Minimum "C-C" in Inches (mm)	Dimension "A" in Inches (mm)
1/2" NPTM	4 1/4 (107.8)	N/A
3/4" NPTM	5 1/8 (130.1)	N/A
1" NPTM	8 3/4 (222.1)	N/A
1/2" Flanged	4 1/4 (107.8)	4 5/8 (117.4)
3/4" Flanged	5 1/8 (130.1)	4 13/16 (122.1)
1" Flanged	8 3/4 (222.1)	4 15/16 (125.3)
1 1/4" Flanged*	8 3/4 (222.1)	5 (126.9)
1 1/2" Flanged*	8 3/4 (222.1)	5 1/16 (128.5)
2" Flanged*	8 3/4 (222.1)	5 1/8 (130.1)
2-1/2" Flanged*	8 3/4 (222.1)	5 1/4 (133.2)
3" Flanged*	8 3/4 (222.1)	5 5/16 (134.8)

Float Length	Dimension "B" in Inches (mm)
Standard	10 15/16 (277.6)
Extended	15 15/16 (404.5)

Minimum Overall Length in Inches (mm)
20 7/16 (518.7)

Certified For: (Dimensions are not for construction unless certified).

Customer: _____

Order Number: _____

Quantity: _____

Material: _____

Date: _____

Certified By: _____