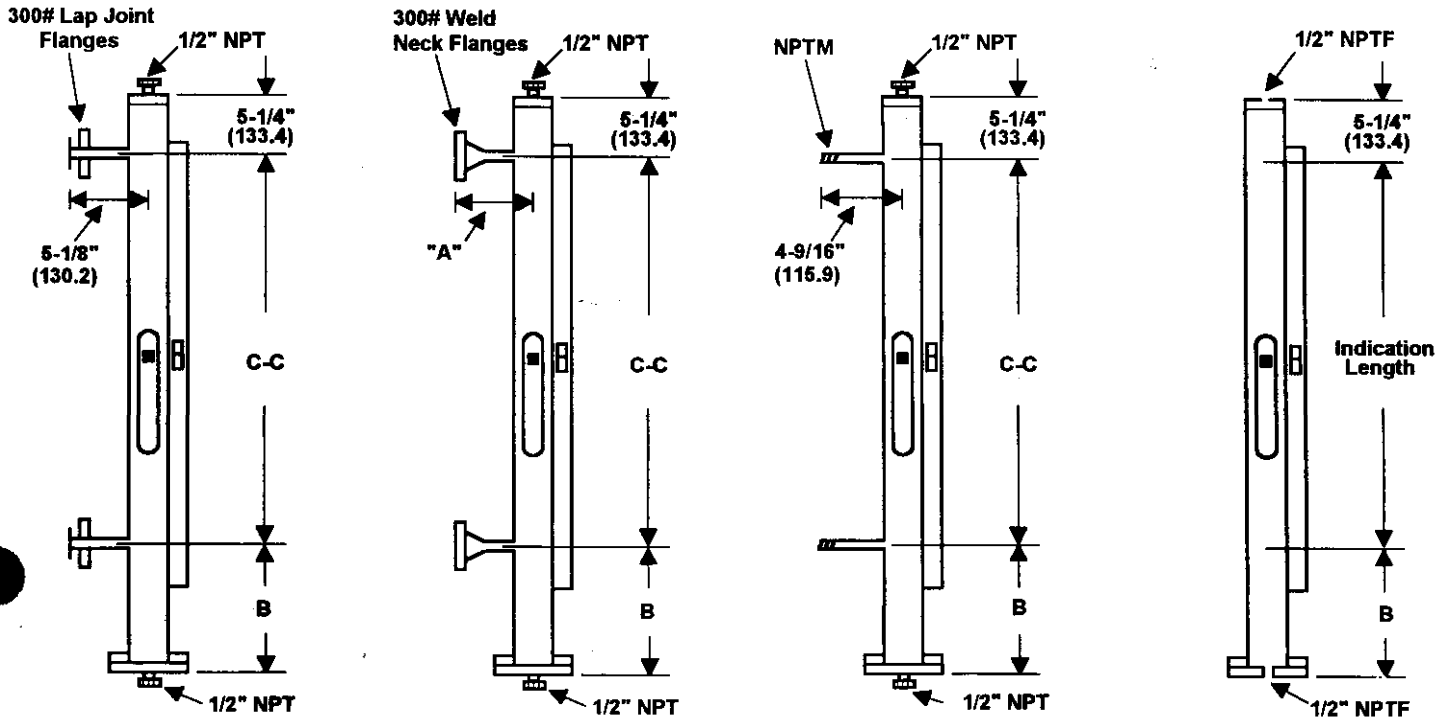


PENBERTHY

dimensions

Section 4000
 Dimensions 4701
 Issued 02/96
 Replaces 01/96

For: **MULTIVIEW™** LIQUID LEVEL METER -- METALLIC NPT & 300# ANSI



*All Flange Connections Larger Than 1" will be Reducing Flanges

Connection Size (Side)	Minimum "C-C" in Inches (mm)	Dimension "A" in Inches (mm)
1/2" NPTM	4 1/4 (107.8)	N/A
3/4" NPTM	5 1/8 (130.1)	N/A
1" NPTM	8 3/4 (222.1)	N/A
1/2" Flanged	4 1/4 (107.8)	4 13/16 (122.1)
3/4" Flanged	5 1/8 (130.1)	5 (126.9)
1" Flanged	8 3/4 (222.1)	5 3/16 (131.7)
1 1/4" Flanged*	8 3/4 (222.1)	5 1/4 (133.2)
1 1/2" Flanged*	8 3/4 (222.1)	5 5/16 (134.8)
2" Flanged*	8 3/4 (222.1)	5 3/8 (136.4)
2-1/2" Flanged*	8 3/4 (222.1)	5 1/2 (139.6)
3" Flanged*	8 3/4 (222.1)	5 5/8 (142.8)

Float Length	Dimension "B" in Inches (mm)
Standard	11 1/16 (280.8)
Extended	16 1/16 (407.7)

Minimum Overall Length in Inches (mm)
20 9/16 (521.9)

Certified For: (Dimensions are not for construction unless certified).

Customer: _____

Order Number: _____

Quantity: _____

Material: _____

Date: _____

Certified By: _____