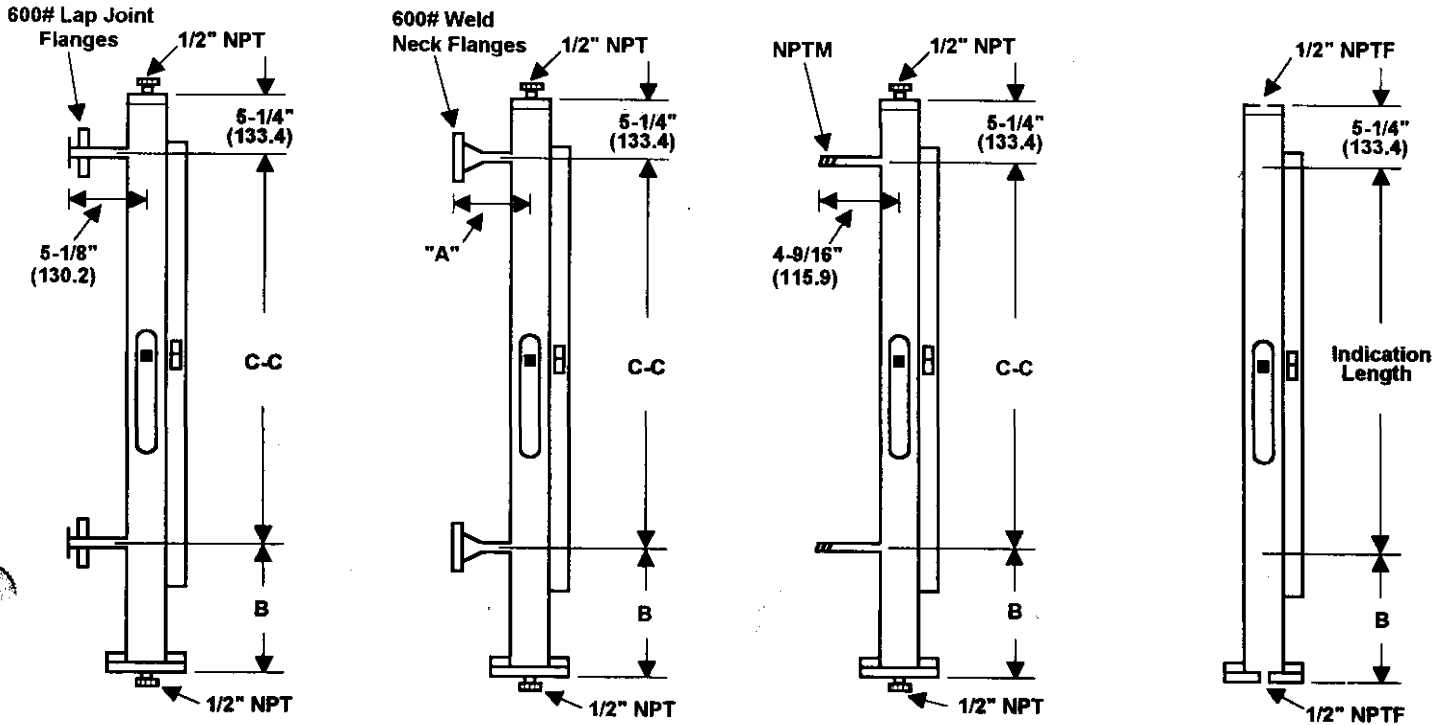


dimensions

For: **MULTIVIEW™** LIQUID LEVEL METER -- METALLIC NPT & 600# ANSI



* All Flange Connections Larger Than 1" will be Reducing Flanges

Connection Size (Side)	Minimum "C-C" in Inches (mm)	Dimension "A" in Inches (mm)
1/2" NPTM	4 1/4 (107.8)	N/A
3/4" NPTM	5 1/8 (130.1)	N/A
1" NPTM	8 3/4 (222.1)	N/A
1/2" Flanged	4 1/4 (107.8)	5 1/16 (128.5)
3/4" Flanged	5 1/8 (130.1)	5 1/4 (133.2)
1" Flanged	8 3/4 (222.1)	5 7/16 (138.0)
1 1/4" Flanged*	8 3/4 (222.1)	5 9/16 (141.2)
1 1/2" Flanged*	8 3/4 (222.1)	5 5/8 (142.8)
2" Flanged*	8 3/4 (222.1)	5 3/4 (145.9)
2-1/2" Flanged*	8 3/4 (222.1)	5 7/8 (149.1)
3" Flanged*	8 3/4 (222.1)	6 (152.3)

Float Length	Dimension "B" in Inches (mm)
Standard	11 7/16 (290.3)
Extended	16 7/16 (417.2)

Minimum Overall Length in Inches (mm)
20 15/16 (531.4)

Certified For: (Dimensions are not for construction unless certified).

Customer: _____

Order Number: _____

Quantity: _____

Material: _____

Date: _____

Certified By: _____