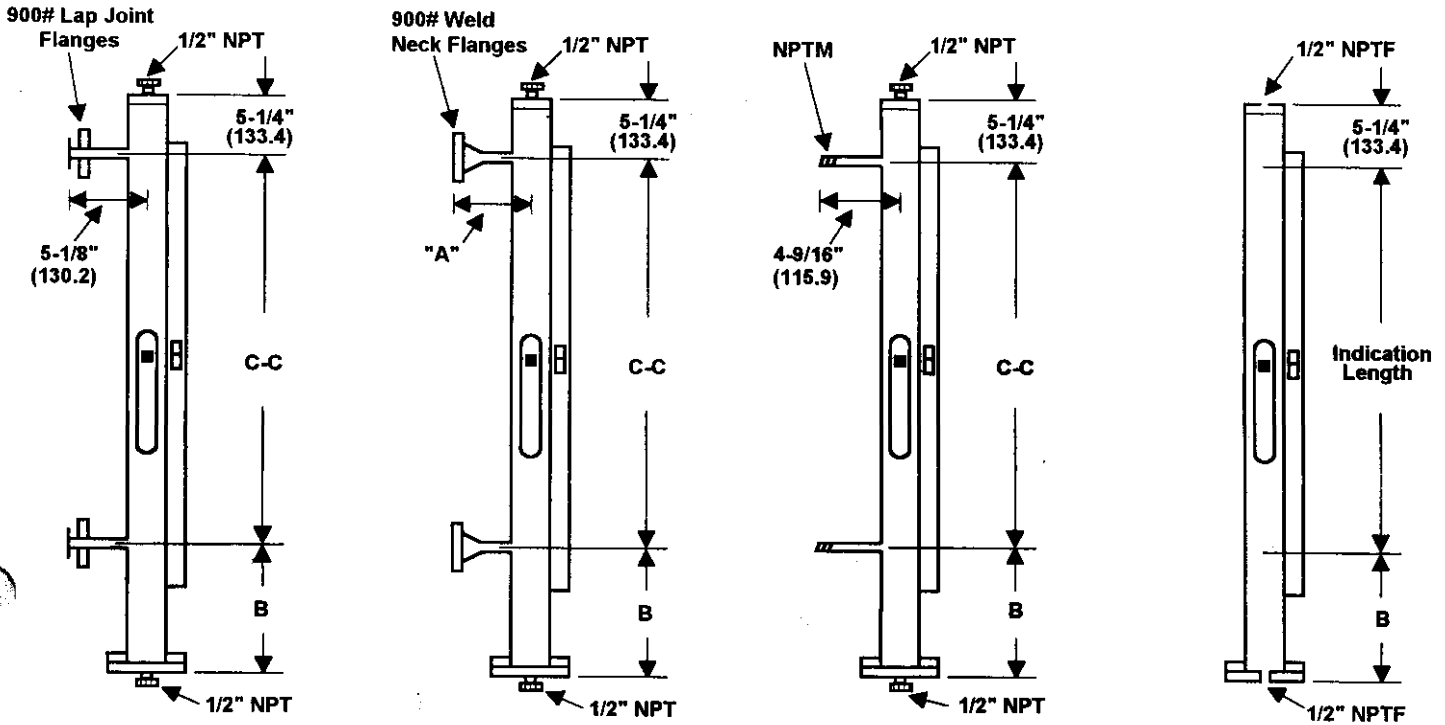


dimensions

Section 4000
 Dimensions 4703
 Issued 02/96
 Replaces 01/96

For: **MULTIVIEW™** LIQUID LEVEL METER -- METALLIC NPT & 900# ANSI



*All Flange Connections Larger Than 1" will be Reducing Flanges

Connection Size (Side)	Minimum "C-C" in Inches (mm)	Dimension "A" in Inches (mm)
1/2" NPTM	4 1/4 (107.8)	N/A
3/4" NPTM	5 1/8 (130.1)	N/A
1" NPTM	8 3/4 (222.1)	N/A
1/2" Flanged	5 1/4 (133.2)	5 3/8 (136.4)
3/4" Flanged	5 5/8 (142.8)	5 3/4 (145.9)
1" Flanged	10 1/8 (257)	5 7/8 (149.1)
1 1/4" Flanged*	10 1/8 (257)	5 7/8 (149.1)
1 1/2" Flanged*	10 1/8 (257)	6 (152.3)
2" Flanged*	10 1/8 (257)	6 1/4 (158.6)
2-1/2" Flanged*	10 1/8 (257)	6 3/8 (161.8)
3" Flanged*	10 1/8 (257)	7 3/4 (196.7)

Float Length	Dimension "B" in Inches (mm)
Standard	11 15/16 (303)
Extended	16 15/16 (429.9)

Minimum Overall Length in Inches (mm)
21 7/16 (544)

Certified For: (Dimensions are not for construction unless certified).

Customer: _____

Order Number: _____

Quantity: _____

Material: _____

Date: _____

Certified By: _____