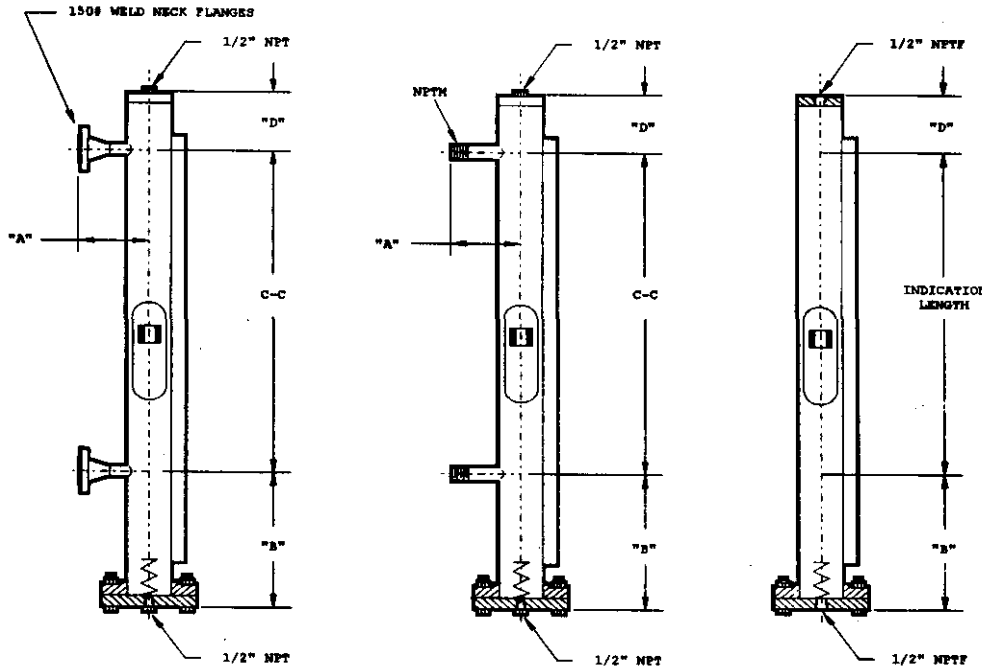


Dimensions

For: **MULTIVIEW™ MMG**



*All Flange Connections Larger Than 1/2" will be Reducing Flanges

Connection Size	Minimum "C-C" in inches (mm)	Dimension "A" in inches (mm)
1/2" NPTM	4-1/4 (107.8)	3-13/16 (96.8)
1/2" Flanged	4-1/4 (107.8)	3-7/8 (98.4)
3/4" Flanged	5-1/8 (130.1)	3-15/16 (100.0)
1" Flanged	8-3/4 (221.1)	4 (101.6)

Float Length	Dimension "B" in inches (mm)
Standard	10 (254.0)
Extended	13-3/4 (349.3)

Dimension "D" in inches (mm)	
Standard Length Float	3-11/16 (93.6)
Extended Length Float	4-11/16 (119.0)

Minimum Overall Length in inches (mm)
17-15/16 (455.6)

Certified For: (Dimensions are not for construction unless certified)

Customer: _____

Order Number: _____

Quantity: _____

Material: _____

Date: _____

Certified By: _____