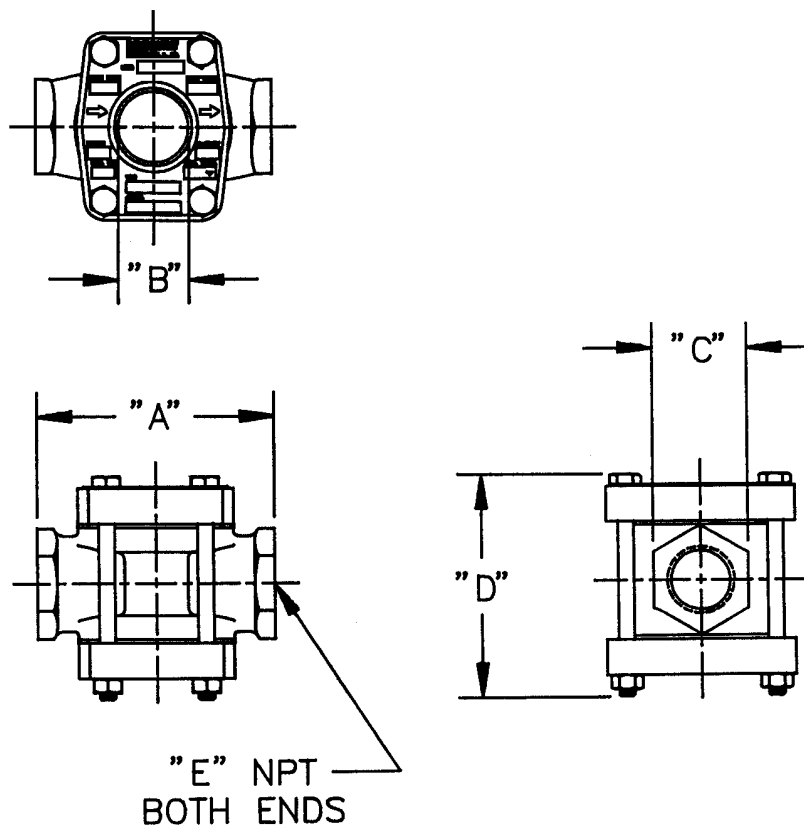


# PENBERTHY

## dimensions

Section 3000  
 Dimensions 3701.1  
 Issued 2/02  
 Replaces New

For: SERIES SM SIGHT FLOW INDICATORS – MODELS SM, SMD, SMF, SMR, SMG, SMB



Unit Size	Dimensions in inches & [cm]				
	"A"	"B"	"C"	"D"	"E"
1/2	3.750 [9.5]	1.250 [3.2]	1.500 [3.8]	4.875 [12.4]	1/2
3/4	3.750 [9.5]	1.250 [3.2]	1.500 [3.8]	4.875 [12.4]	3/4
1	4.250 [10.8]	1.375 [3.5]	2.000 [5.1]	5.625 [14.3]	1
1-1/4	7.500 [19.1]	2.000 [5.1]	2.500 [6.4]	5.875 [14.9]	1-1/4
1-1/2	7.500 [19.1]	2.000 [5.1]	2.500 [6.4]	5.875 [14.9]	1-1/2
2	8.625 [21.9]	2.125 [5.4]	3.250 [8.3]	7.375 [18.7]	2
2-1/2	11.375 [28.9]	3.188 [8.1]	4.313 [11.0]	9.625 [24.4]	2-1/2
3	11.375 [28.9]	3.188 [8.1]	4.313 [11.0]	9.625 [24.4]	3