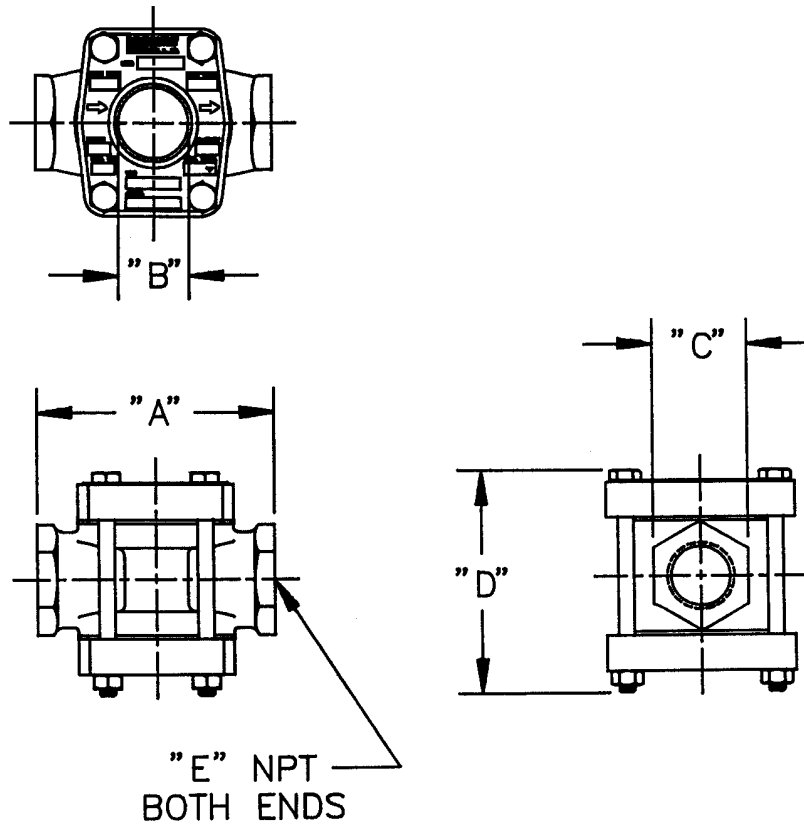


# PENBERTHY

## dimensions

Section 3000  
 Dimensions 3701.2  
 Issued 2/02  
 Replaces New

For: SERIES SH SIGHT FLOW INDICATORS – MODELS SH, SHD, SHF, SHR, SHG, SHB



Unit Size	Dimensions in inches & [cm]				
	"A"	"B"	"C"	"D"	"E"
1/2	3.750 [9.5]	1.250 [3.2]	1.500 [3.8]	5.750 [14.6]	1/2
3/4	3.750 [9.5]	1.250 [3.2]	1.500 [3.8]	5.750 [14.6]	3/4
1	4.250 [10.8]	1.375 [3.5]	2.000 [5.1]	6.500 [16.5]	1
1-1/4	7.875 [20.0]	2.000 [5.1]	2.500 [6.4]	7.125 [18.1]	1-1/4
1-1/2	7.875 [20.0]	2.000 [5.1]	2.500 [6.4]	7.125 [18.1]	1-1/2
2	9.000 [22.9]	2.125 [5.4]	3.250 [8.3]	10.375 [26.4]	2
2-1/2	11.750 [29.8]	3.188 [8.1]	4.313 [11.0]	12.125 [30.8]	2-1/2
3	11.750 [29.8]	3.188 [8.1]	4.313 [11.0]	12.125 [30.8]	3