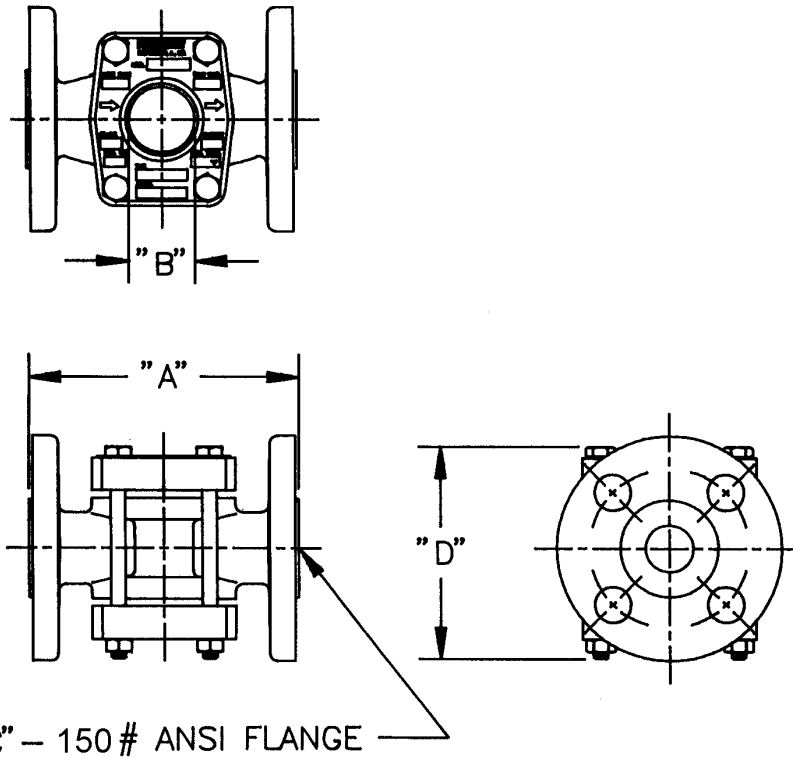


PENBERTHY

dimensions

Section 3000
 Application Report 3702
 Issued 9/98
 Replaces 4/87

For: SERIES SF SIGHT FLOW INDICATORS – MODELS SF-F, SFD-F, SFF-F, SFR-F, SFG-F, SFB-F



Unit Size	Dimensions In Inches & [cm]			
	"A"	"B"	"C"	"D"
1/2	4.625 [11.7]	1.250 [3.2]	0.500 [1.3]	3.938 [10.0]
3/4	4.625 [11.7]	1.250 [3.2]	0.750 [1.9]	3.938 [10.0]
1	5.625 [14.3]	1.500 [3.8]	1.000 [2.5]	4.500 [11.4]
1-1/4	6.500 [16.5]	2.375 [6.0]	1.250 [3.2]	5.750 [14.6]
1-1/2	6.500 [16.5]	2.375 [6.0]	1.500 [3.8]	5.750 [14.6]
2	7.875 [20.0]	2.875 [7.3]	2.000 [5.1]	7.375 [18.7]
2-1/2	9.375 [23.8]	3.750 [9.5]	2.500 [6.4]	8.938 [22.7]
3	9.375 [23.8]	3.750 [9.5]	3.000 [7.6]	8.938 [22.7]
4	11.000 [27.9]	4.750 [12.1]	4.000 [10.2]	9.500 [24.1]
6	14.250 [36.2]	7.000 [17.8]	6.000 [15.2]	13.563 [34.5]
8	16.125 [41.0]	9.000 [22.9]	8.000 [20.3]	18.063 [45.9]
10	24.750 [62.9]	10.000 [25.4]	10.000 [25.4]	25.000 [63.5]
12	25.750 [65.4]	11.000 [27.9]	12.000 [30.5]	26.625 [67.6]
14	26.750 [67.9]	11.000 [27.9]	14.000 [35.6]	27.500 [69.9]

* for flat face flanges on iron and bronze units reduce dimension "A" by 1/8" [0.3]