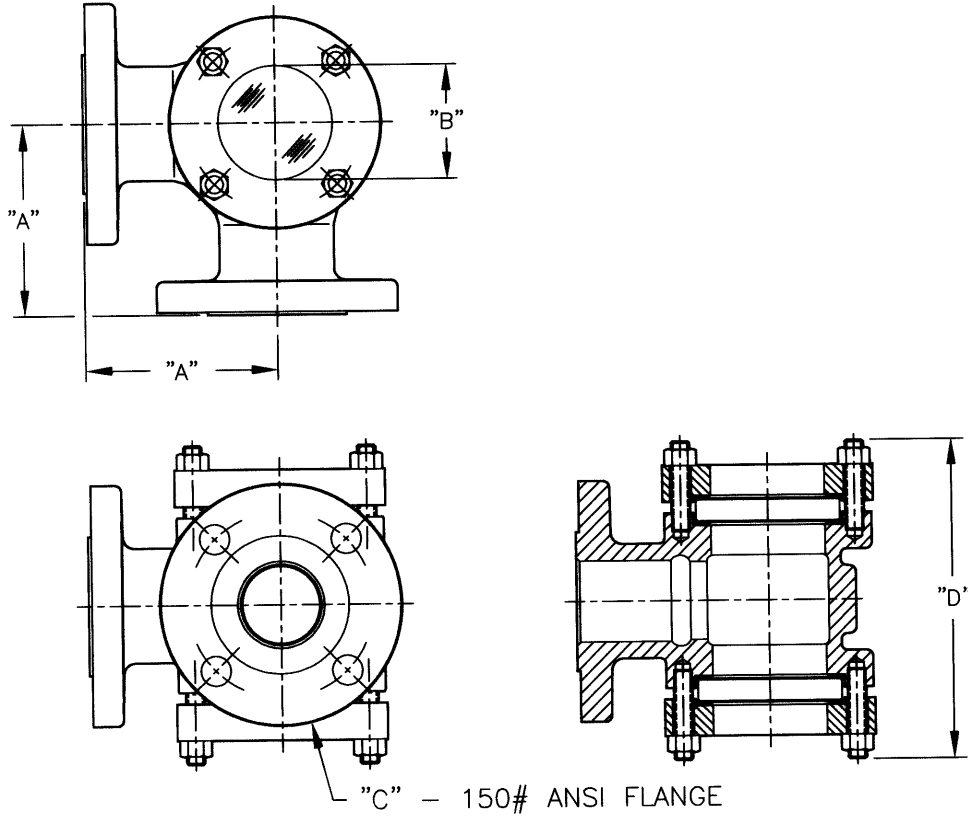


PENBERTHY

dimensions

Section 3000
 Dimension 3703
 Issued 3/01
 Replaces 5/00

For: 90° ANGLED SIGHT FLOW INDICATOR – MODEL SF-F90A, SFD-F 90A



Unit Size	Dimensions in inches & [cm]			
	"A"	"B"	"C"	"D"
1	4.000 [10.2]	1.500 [3.8]	1"	5.875 [14.9]
1-1/2	4.500 [11.4]	2.375 [6.0]	1 1/2"	7.125 [18.1]
2	5.000 [12.7]	2.875 [7.3]	2"	8.375 [21.3]
2-1/2	6.000 [15.3]	3.750 [9.5]	2 1/2"	10.625 [27.0]
3	6.000 [15.3]	3.750 [9.5]	3"	10.625 [27.0]
4	6.750 [17.1]	4.750 [12.1]	4"	14.625 [37.1]
6	8.438 [21.5]	7.000 [17.8]	6"	18.250 [46.4]
8	9.000 [22.9]	9.000 [22.9]	8"	22.000 [55.9]