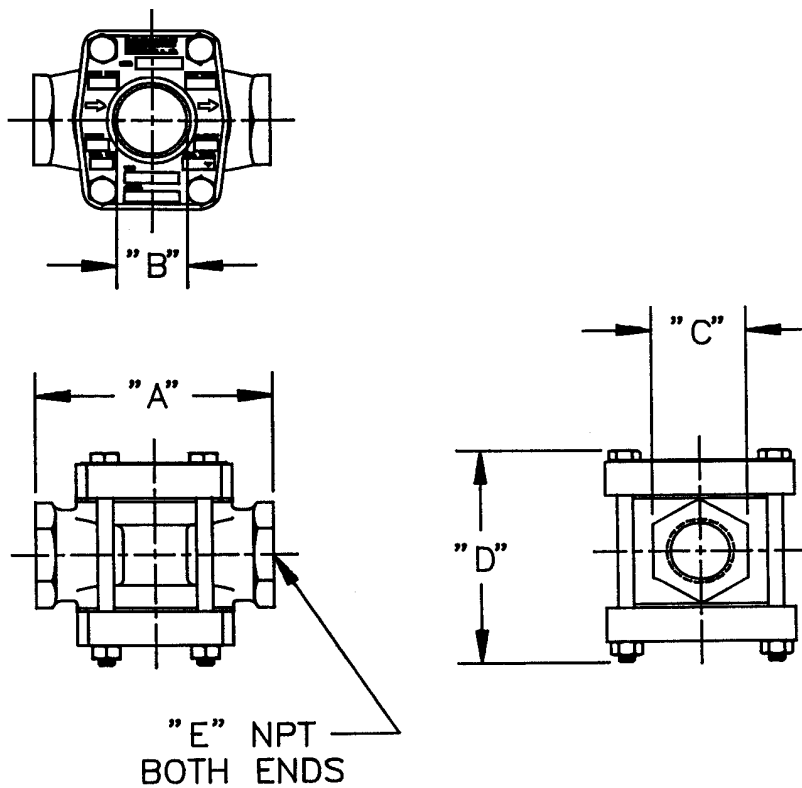


PENBERTHY

dimensions

Section 3000
 Dimension 3704.1
 Issued 9/99
 Replaces NEW

For: SERIES SM SIGHT FLOW INDICATORS – MODELS SM, SFM, SMF, SMR, SMG, SMB
 (THREADED)



Unit Size	Dimensions in inches & [cm]				
	"A"	"B"	"C"	"D"	"E"
1/2	3.750 [9.5]	1.250 [3.2]	1.500 [3.8]	4.125 [10.5]	0.500 [1.3]
3/4	3.750 [9.5]	1.250 [3.2]	1.500 [3.8]	4.125 [10.5]	0.750 [1.9]
1	4.250 [10.8]	1.375 [3.5]	2.000 [5.1]	4.875 [12.4]	1.000 [2.5]
1-1/4	5.500 [14.0]	2.000 [5.1]	2.500 [6.4]	5.875 [14.9]	1.250 [3.2]
1-1/2	5.500 [14.0]	2.000 [5.1]	2.500 [6.4]	5.875 [14.9]	1.500 [3.8]
2	6.250 [15.9]	2.125 [5.4]	3.250 [8.3]	7.375 [18.7]	2.000 [5.1]
2-1/2	8.500 [21.6]	3.187 [8.1]	4.125 [10.5]	9.625 [24.4]	2.500 [6.4]
3	8.500 [21.6]	3.187 [8.1]	4.125 [10.5]	9.625 [24.4]	3.000 [7.6]